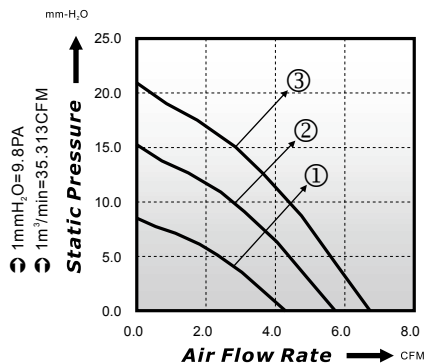


# 75x75x08mm

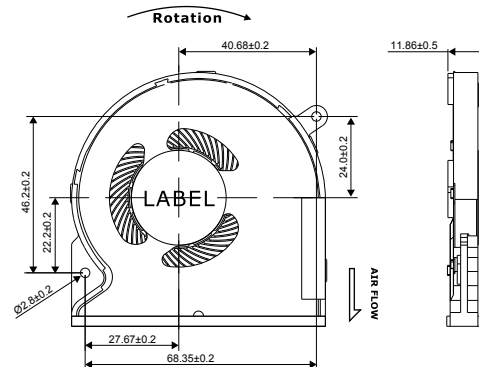


## ■ P-Q Curve (At Rated Voltage)



## ■ Dimensions Drawing

Unit: (mm)



Model No	Bearing (*)	Rated Voltage (VDC)	Rated Current (A)	Power Consumption (Watts)	Speed (rpm)	Air Flow (CFM)	Static Pressure (mmH <sub>2</sub> O)	Noise (dBA)	Curve
EBD07508-05L*	○ ⊖	5	0.30	1.5	3000	4.30	8.53	37.8	1
EBD07508-05M*	○ ⊖	5	0.50	2.5	4000	5.73	15.27	44.6	2
EBD07508-05H*	○ ⊖	5	0.60	3.0	4700	6.73	20.94	47.0	3
EBD07508-12L*	○ ⊖	12	0.30	3.6	3000	4.30	8.53	37.8	1
EBD07508-12M*	○ ⊖	12	0.40	4.8	4000	5.73	15.27	44.6	2
EBD07508-12H*	○ ⊖	12	0.50	6.0	4700	6.73	20.94	47.0	3

\* Bearing Type: ○ Sleeve ● Two Ball ⊖ Hydro-Dynamic